

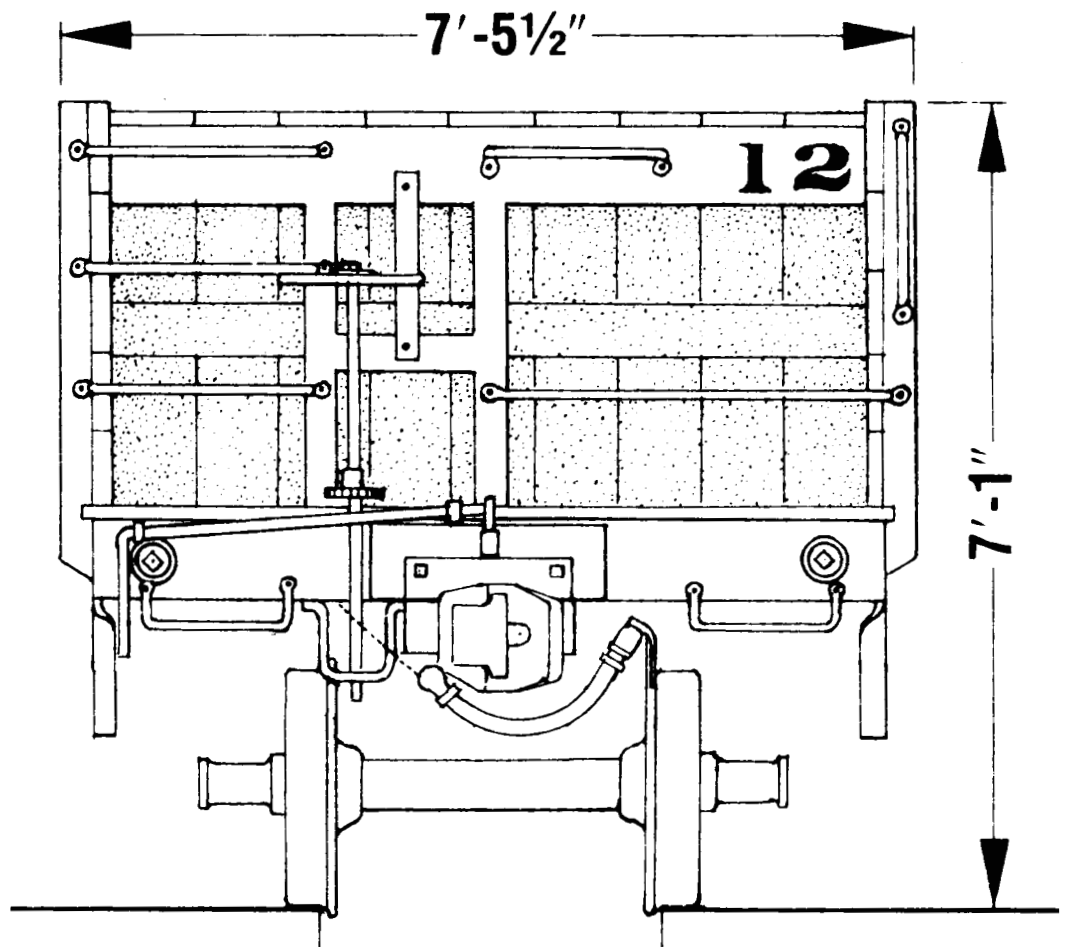
Scratchbuilding wooden hoppers in 1:20.3 scale



ROBERT W. RICHARDSON; MALLORY HOPE FERRELL COLLECTION

Prototype photo

In the December 2012 and February 2013 issues of *Garden Railways*, Bruce Chandler describes in detail how to scratchbuild an ET&WNC wooden hopper car. As a bonus for subscribers, we have scanned in prototype drawings and a prototype photo from the July 1981 issue of *Model Railroader*.



These drawings are full size for 1:20.3 scale.

© *Garden Railways* and *Model Railroader*. These drawings may be reproduced by individual modelers for their own personal use. Copying for any commercial use or for distribution is prohibited without written consent from the publisher.

