

# Build a 1:20.3-scale hot-dog cart

Plan set #88

by Ted Stinson | Wiscasset, Maine

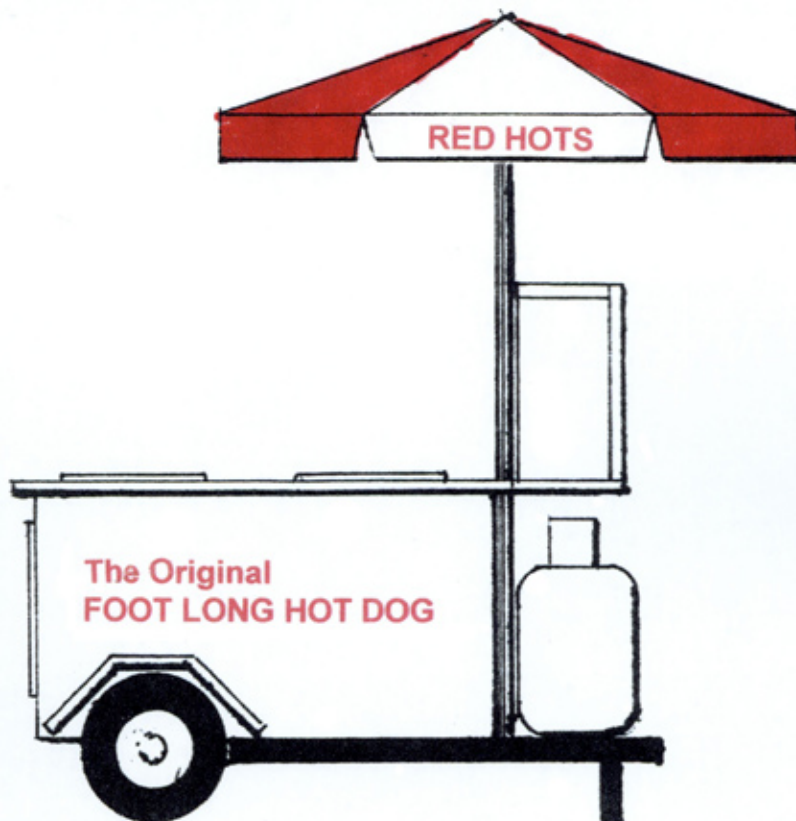
**M**ake up, seal, and paint each of the parts of the hot dog cart before final assembly. Begin with the cart body. Cut, sand smooth, and glue the two blocks together. Then add the  $\frac{1}{16}$ "-strip fenders and the  $\frac{1}{16}$ " sheet deck. Finally, cut and glue the cardstock pieces in place. Seal with at least two light coats of clear lacquer. Allow to dry thoroughly, then paint the whole thing aluminum.

Make up the frame, the chip display, and the gas cylinder next. The frame should be painted black, the chip display aluminum and the gas cylinder white. When done, fit and glue each of these in place. Now paint the wheels to suit. The hubs should be white or aluminum—the tires should be black. When done, fit and glue these in place.

The last item, is the umbrella. This should be cut from cardstock, preferably white. Any other colors and writing can be done with permanent markers. Score the lines with a sharp pencil on the underside, then fold the card on these lines. The open edges can be taped together on the underside to cause the umbrella to form its conical shape. Glue the bamboo staff at the center of the underside with a spot of white glue. When dry and the umbrella satisfies you, slip the bamboo shaft in the  $\frac{1}{8}$ " hole in the cart body.

\*\*\*

This is an online supplement to the October 2008 issue of *Garden Railways*



magazine. To purchase previously published paper plans, see the list of those available at [www.sidestreet.info](http://www.sidestreet.info)

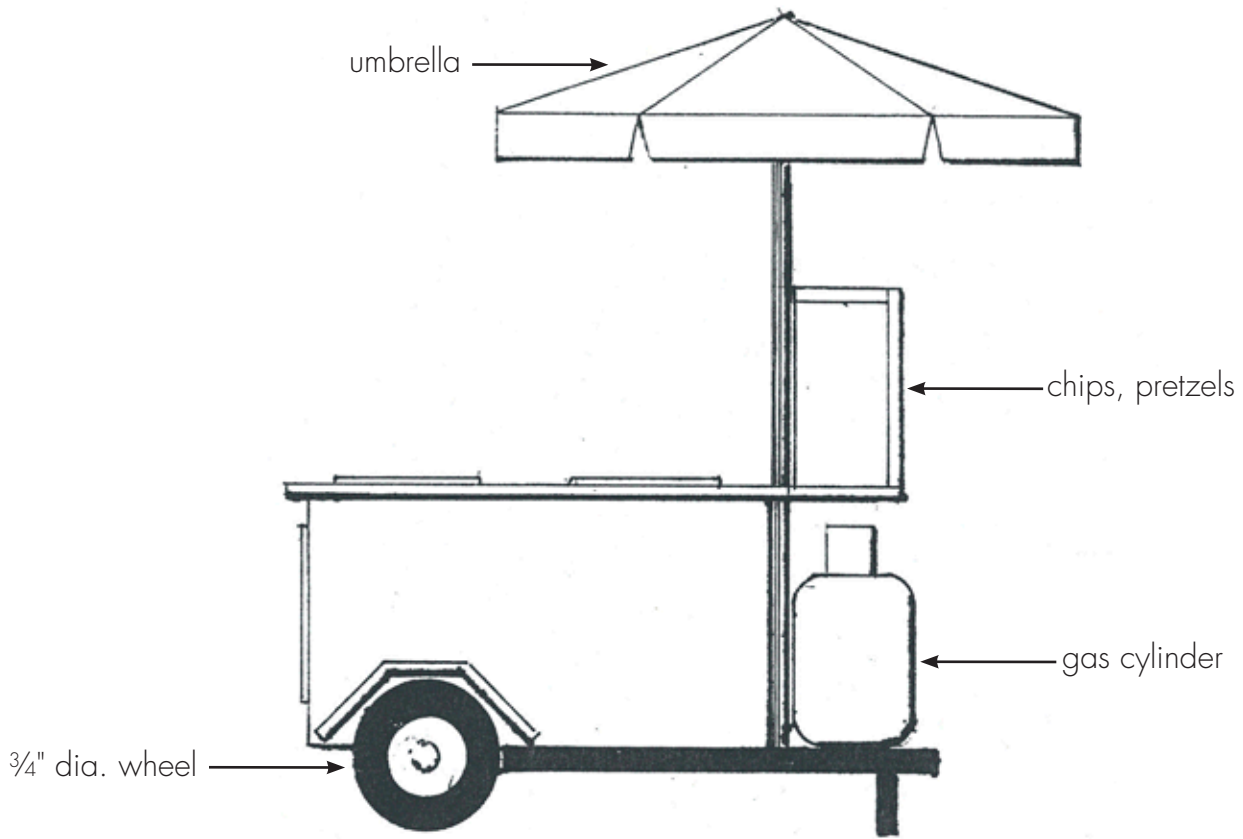
A kit for the Hot Dog Cart (#292) is available from Northeast Narrow Gauge for \$20 + \$6 s&h (to the US). Order from Northeast Narrow Gauge, PO Box 191, Wiscasset ME

04578. Web site: [www.nemodel.com](http://www.nemodel.com)

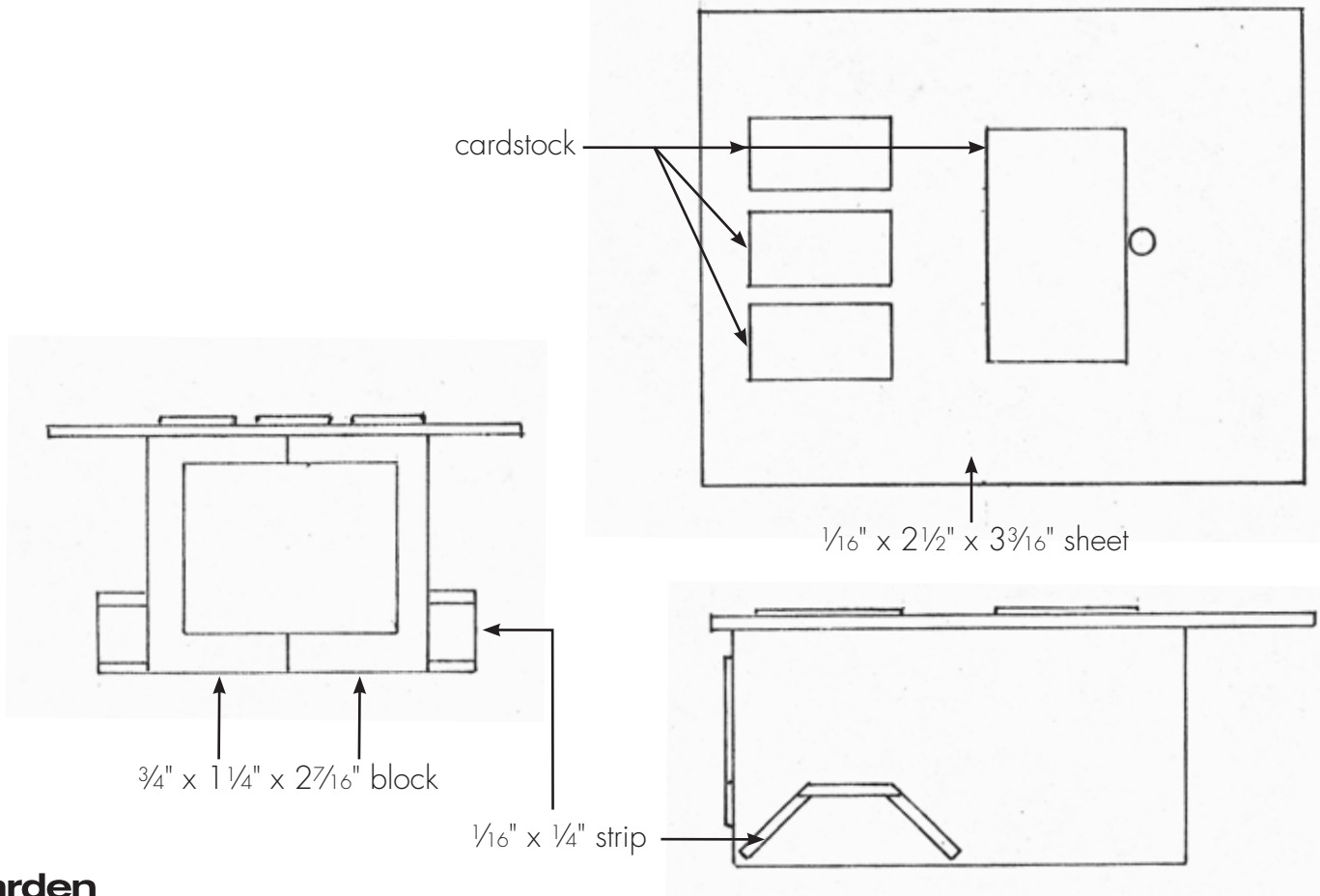
© 2008 by *Garden Railways* and Northeast Narrow Gauge. These drawings may be reproduced by individual modelers for their own personal use. Copying for any commercial use or for distribution is prohibited without written consent from the publisher.

## Are you working in a different scale?

- If you are working in 1:32 scale, reduce these drawings to 63%.
- If you are working in 1:29 scale, reduce these drawings to 70%.
- If you are working in 1:24 scale, reduce these drawings to 88%.
- If you are working in 1:22.5 scale, reduce these drawings to 90%.
- If you are working in 16mm scale, enlarge these drawings to 107%.
- If you are working in 1:13.7 ( $\frac{1}{8}$ " scale), enlarge these drawings to 148%.

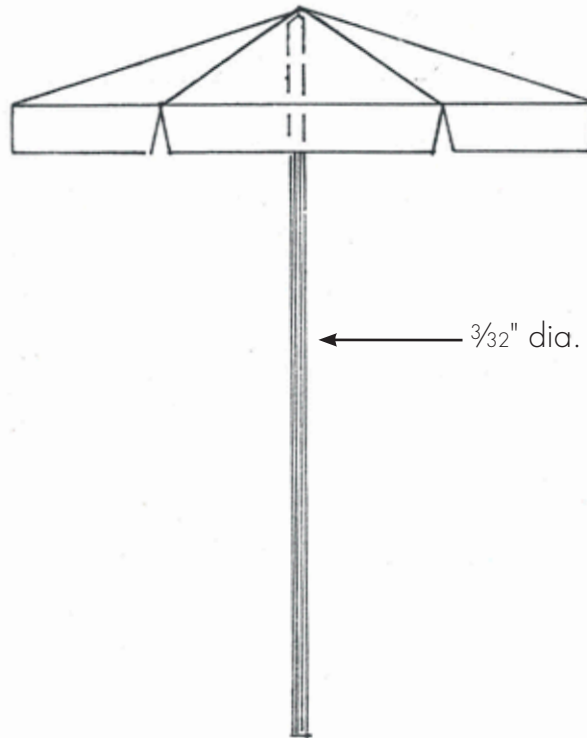
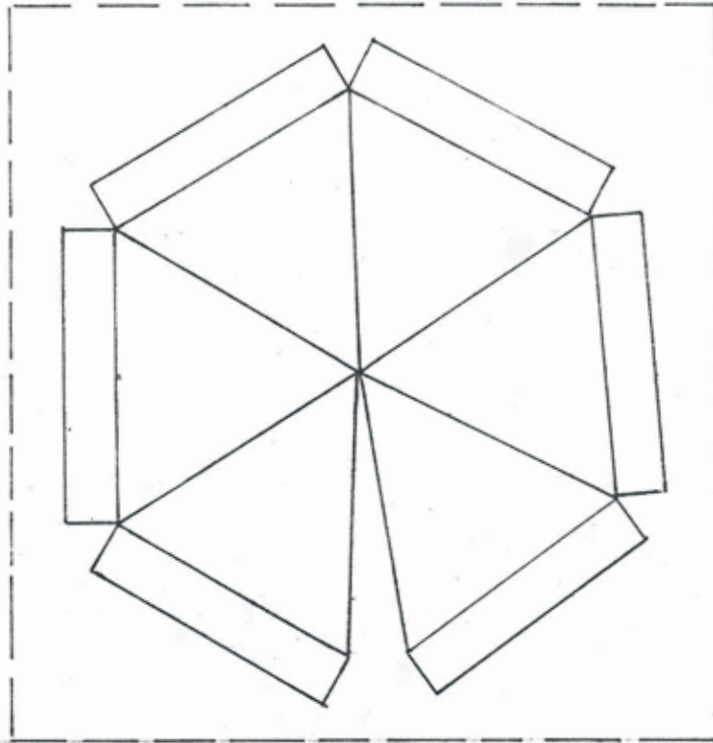


**Cart body**



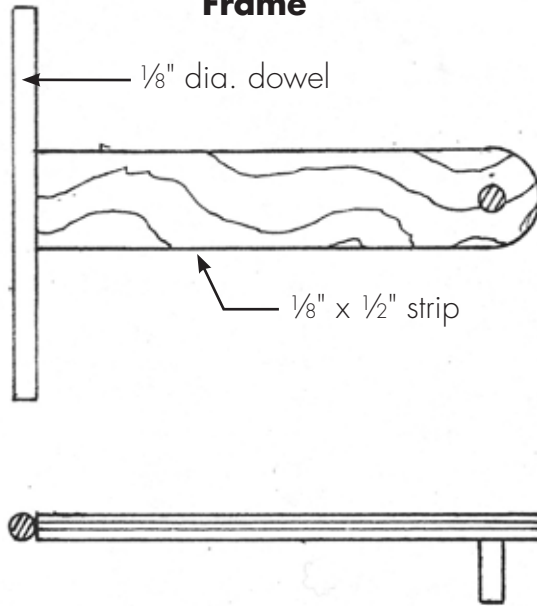
# Umbrella

cardstock pattern

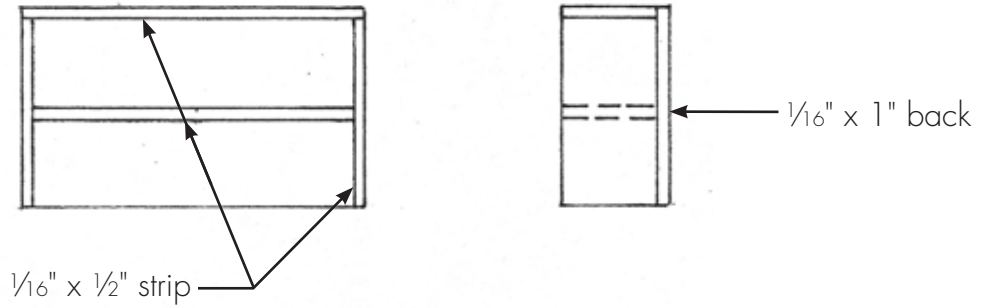


← 3/32" dia. bamboo

### Frame



### Chip display



### Gas cylinder

