

# Build a tiny freight station in 1:29 scale

Illustrations by Steve Terry

[Redrawn from the January 1965 issue of *Model Railroader*]



The Reading Railroad employed this tiny freight station on its line. The door height is the same as that of railroad cars. The framed areas near the doors and on the side of the building are not windows, but frames for advertising posters.

Constructing a model of this structure would be a good place for beginners to enter the realm of scratchbuilding. It would also make a good weekend project for a more advanced modeler.



Drawings are full size for 1:29 scale

## Are you working in a different scale?

If you're not working in 1:29 scale, print the drawings out at the percentage given below for your scale.

1:32 scale	91%
1:24 scale	121%
1:22.5 scale	129%
1:20.3 scale	143%
1:19 scale	153%
1:13.7 scale	212%

This is an online supplement to the April 2013 issue of *Garden Railways* magazine. To purchase previously published paper plans, see the list of those available at [www.sidestreet.info](http://www.sidestreet.info)

## Steve Terry's blog

Steve Terry, who does these drawings for *Garden Railways*, has his own blog, much of which has to do with his beautiful work. Check it out: <http://trippete.blogspot.com/>



**Front Side**



**Left Side**



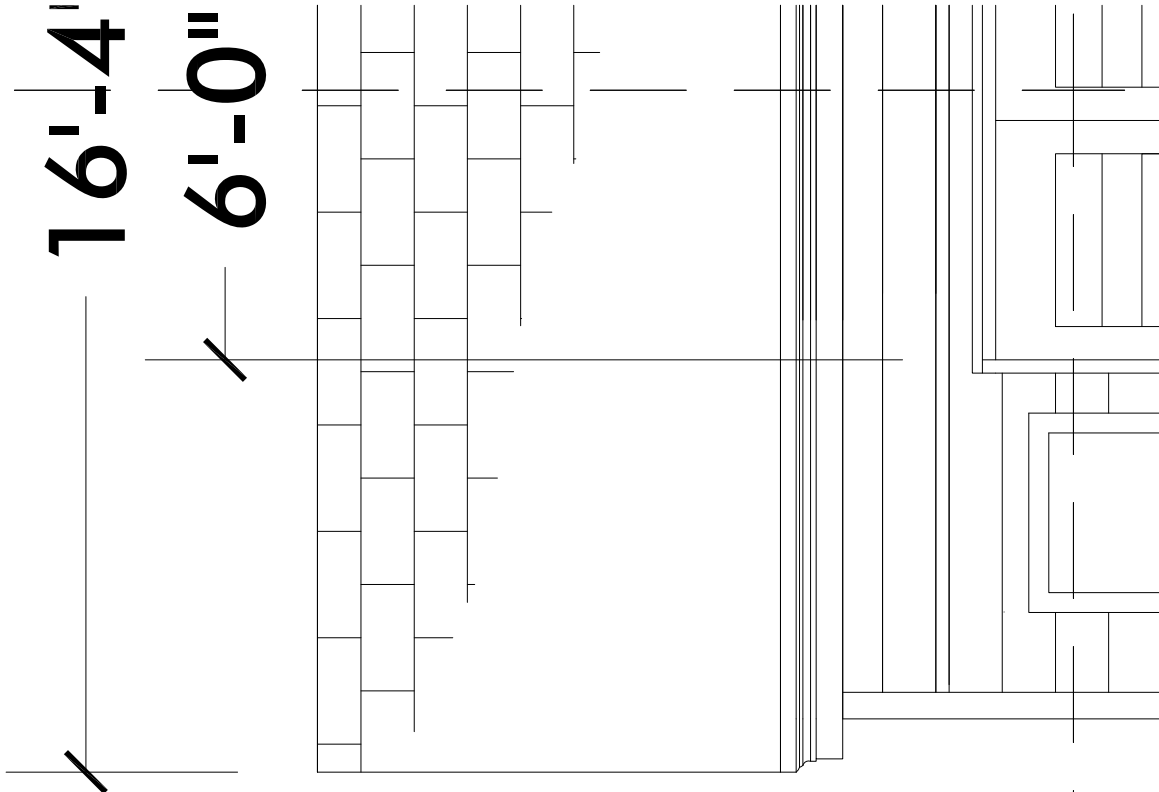
**Rear Side**



**Right Side**

<p>RE-1</p> <p><b>Rear Elevation</b></p> <p>16'-4"</p> <p>6'-0"</p> <p>15'-0"</p>	<p>RE-2</p> <p><b>Side(s)</b></p> <p>6'-0"</p> <p>20'-3"</p> <p>3'-8"</p> <p>11'-3"</p> <p>3'-0"</p>	<p>LE-1</p> <p><b>Elevation</b></p> <p>6'-0"</p> <p>20'-3"</p> <p>3'-8"</p> <p>11'-3"</p> <p>3'-0"</p>	<p>RE-1</p> <p><b>Side(s)</b></p> <p>6'-0"</p> <p>20'-3"</p> <p>3'-8"</p> <p>11'-3"</p> <p>3'-0"</p>	<p>LE-2</p>
<p>RE-3</p>	<p>RE-4</p>	<p>FE-1</p> <p><b>Front Elevation</b></p> <p>16'-4"</p> <p>6'-0"</p> <p>2'-6"</p> <p>7'-0"</p> <p>4'-4"</p> <p>15'-0"</p>	<p>FE-2</p>	<p>FE-3</p>
<p>FE-1</p>	<p>FE-2</p>	<p>FE-3</p>	<p>FE-4</p>	<p>FE-4</p>

**FRONT ELEVATION - FE1**

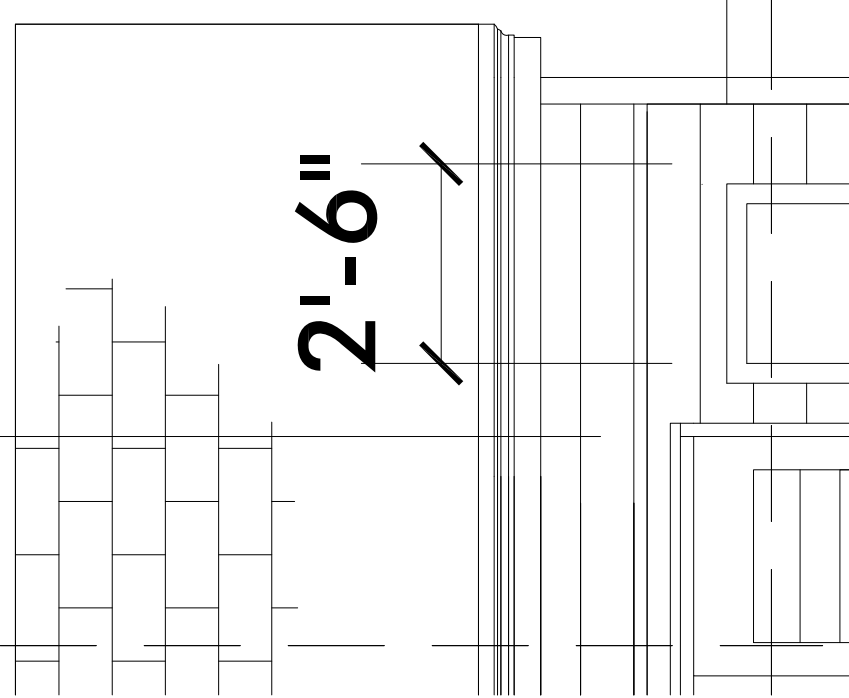


FE2

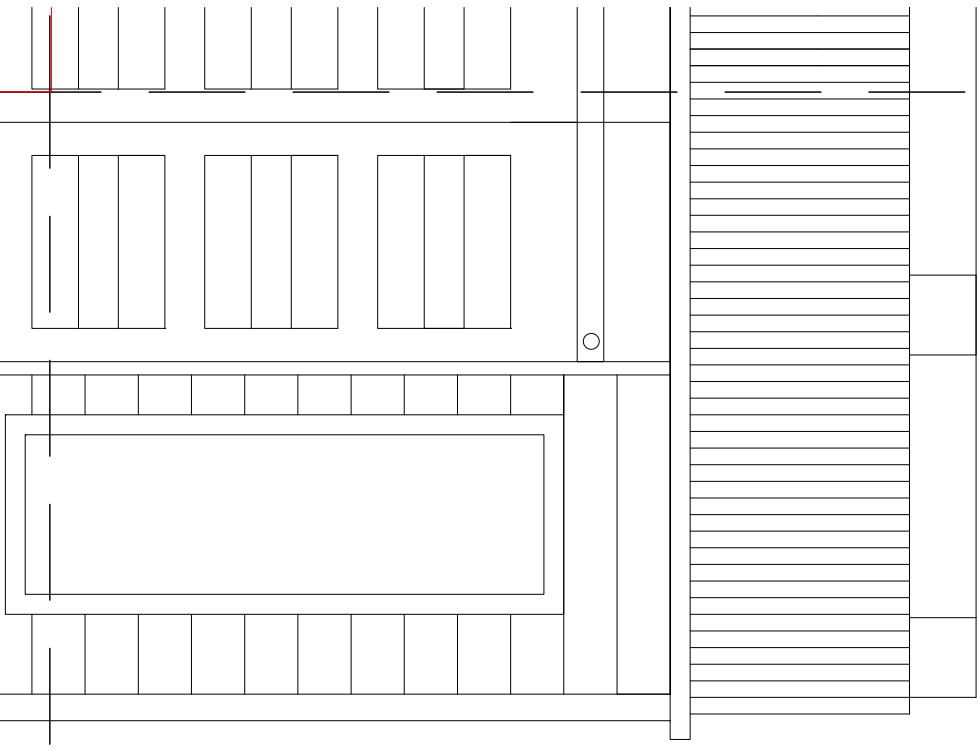
1'-4"

0"

2'-6"



FES



6'-0"

15'-0"

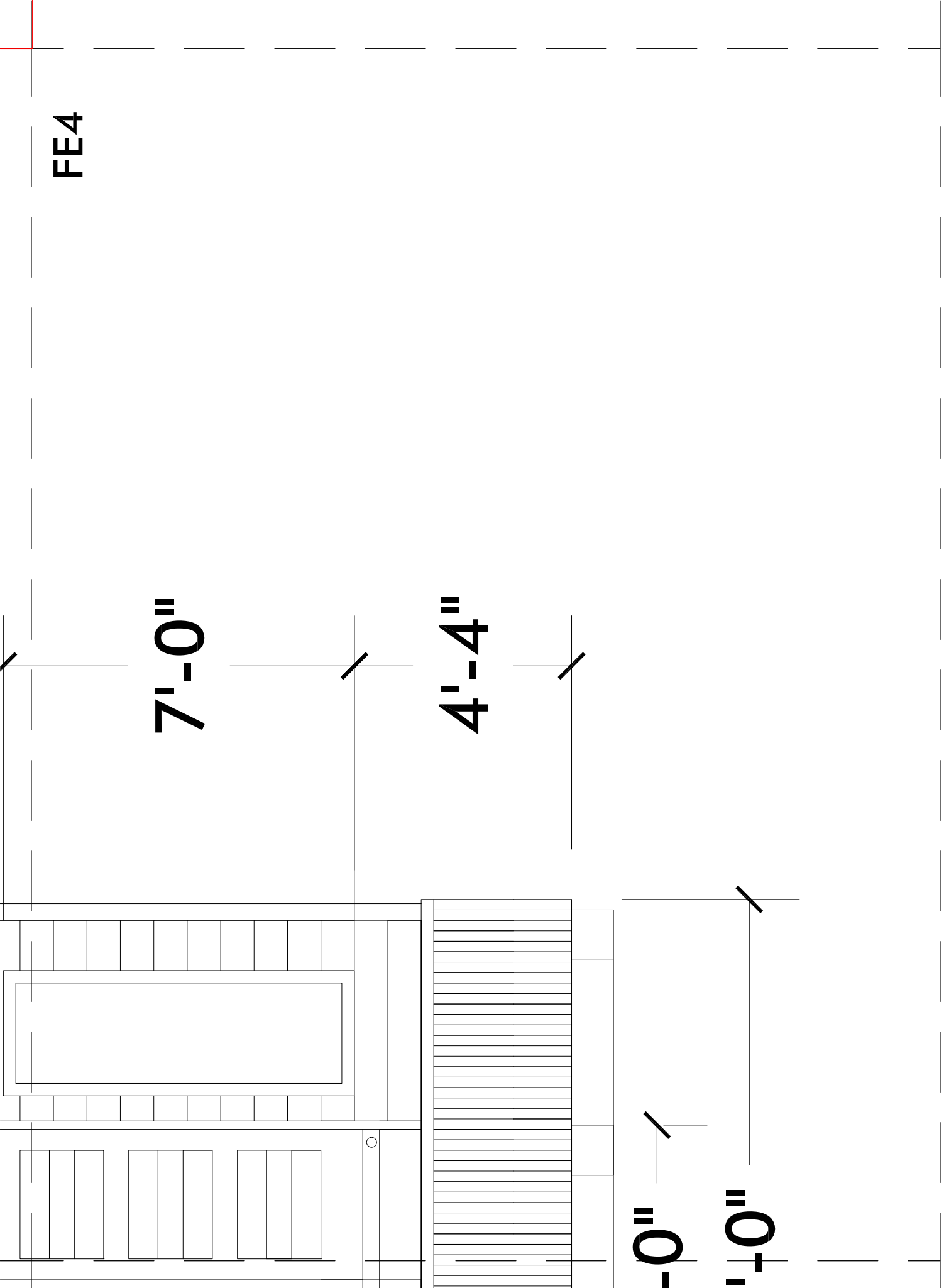
FE4

7'-0"

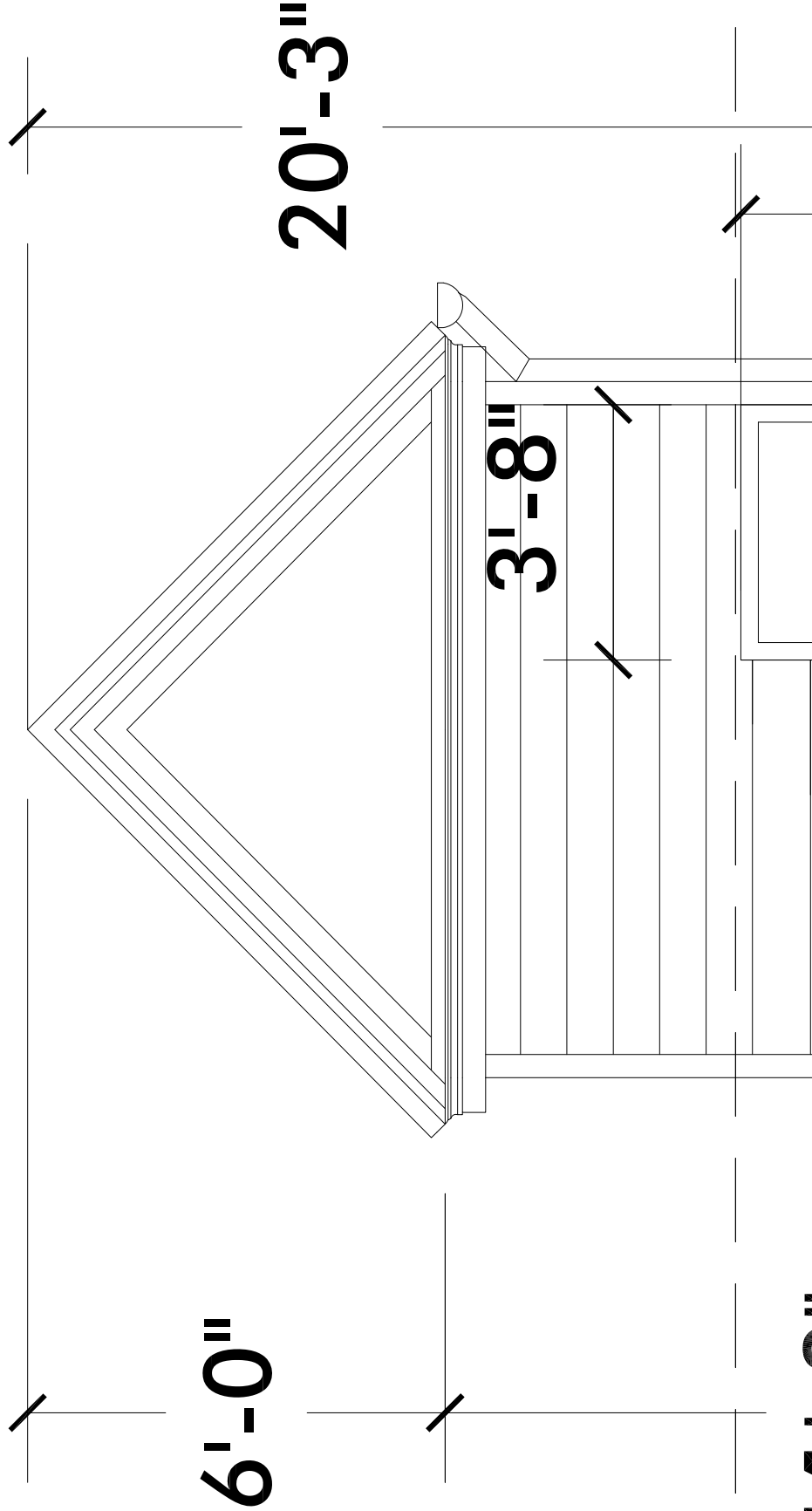
4'-4"

0'-0"

1'-0"



LEFT ELEVATION LE1





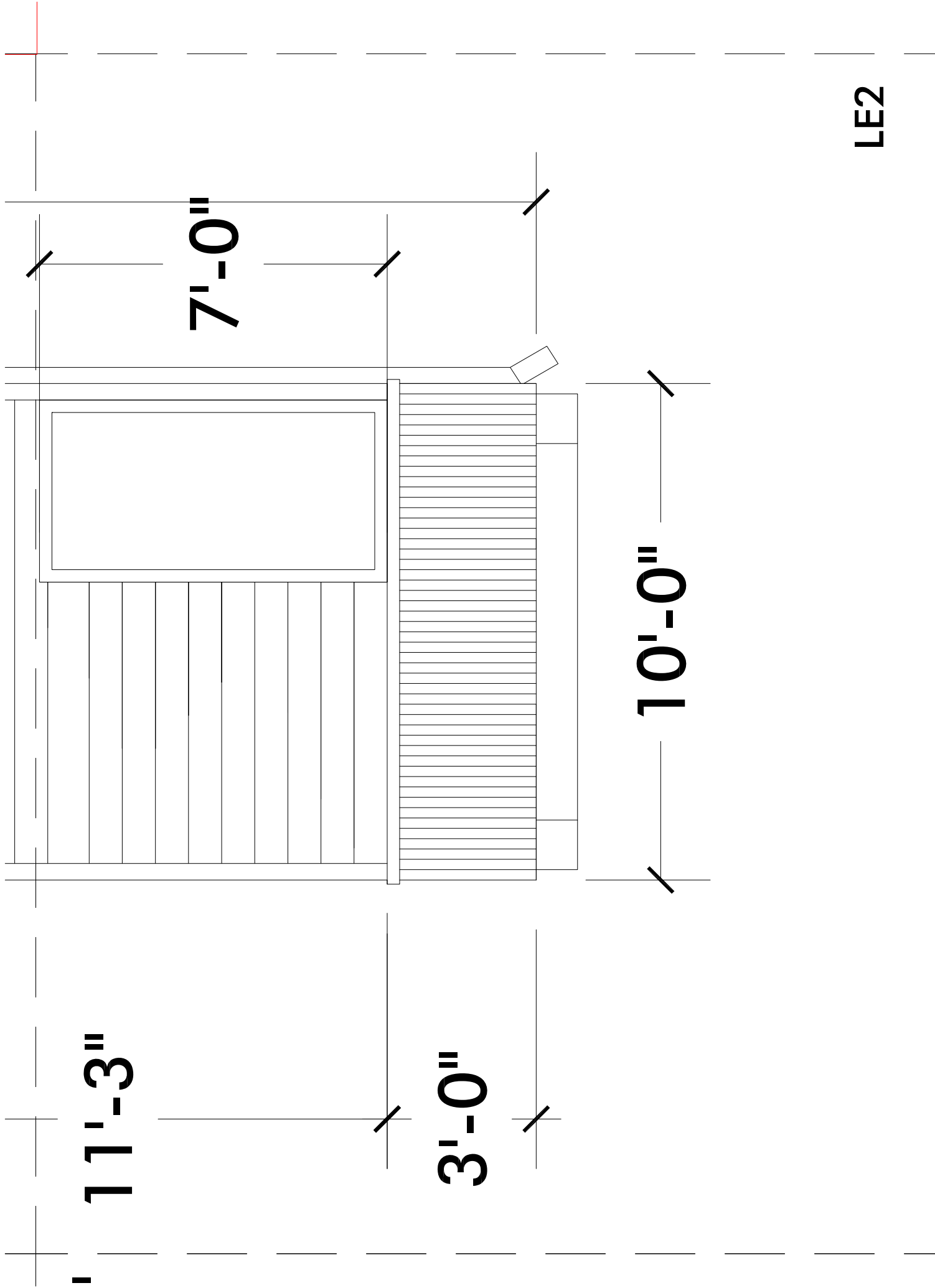
11'-3"

7'-0"

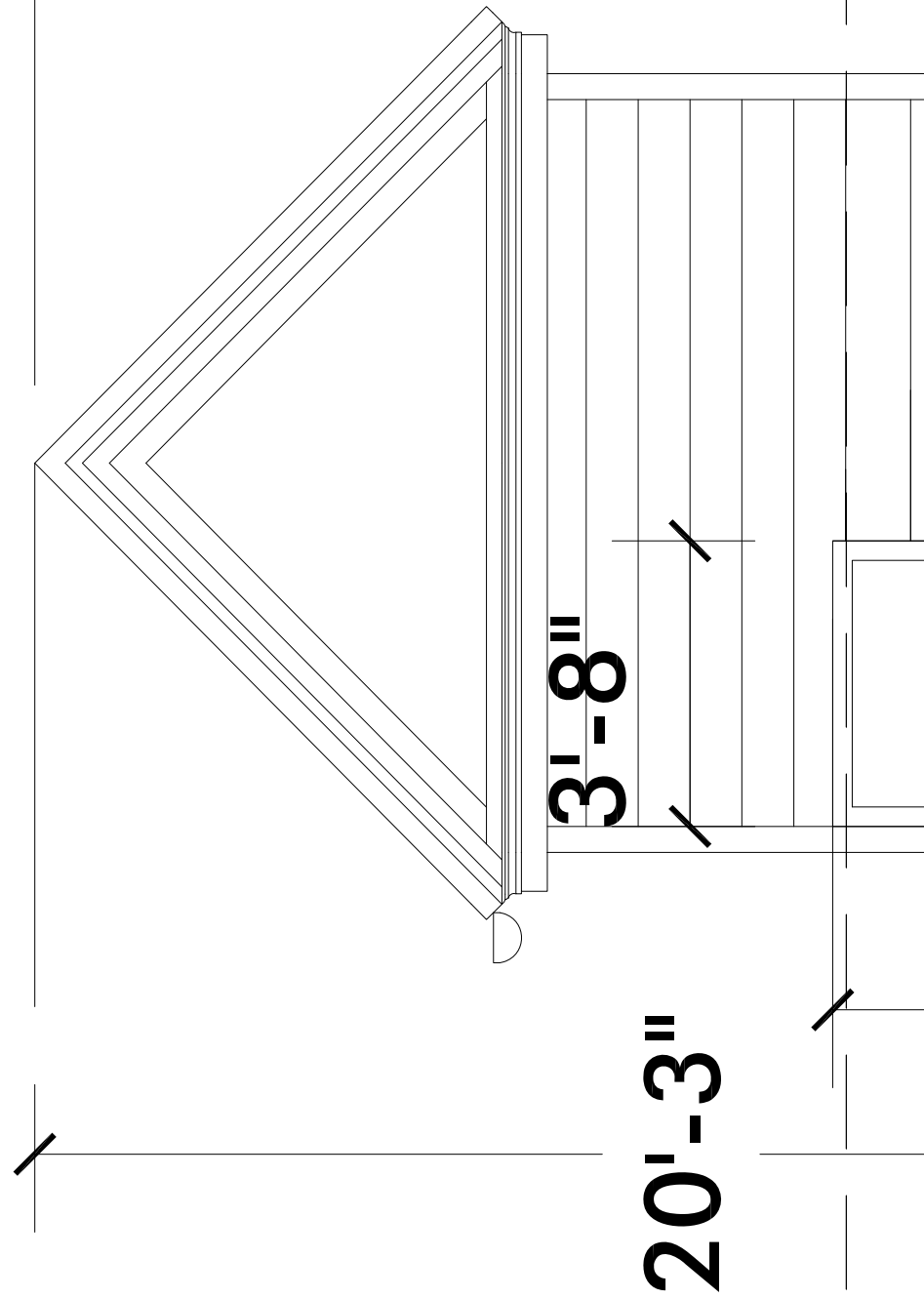
3'-0"

10'-0"

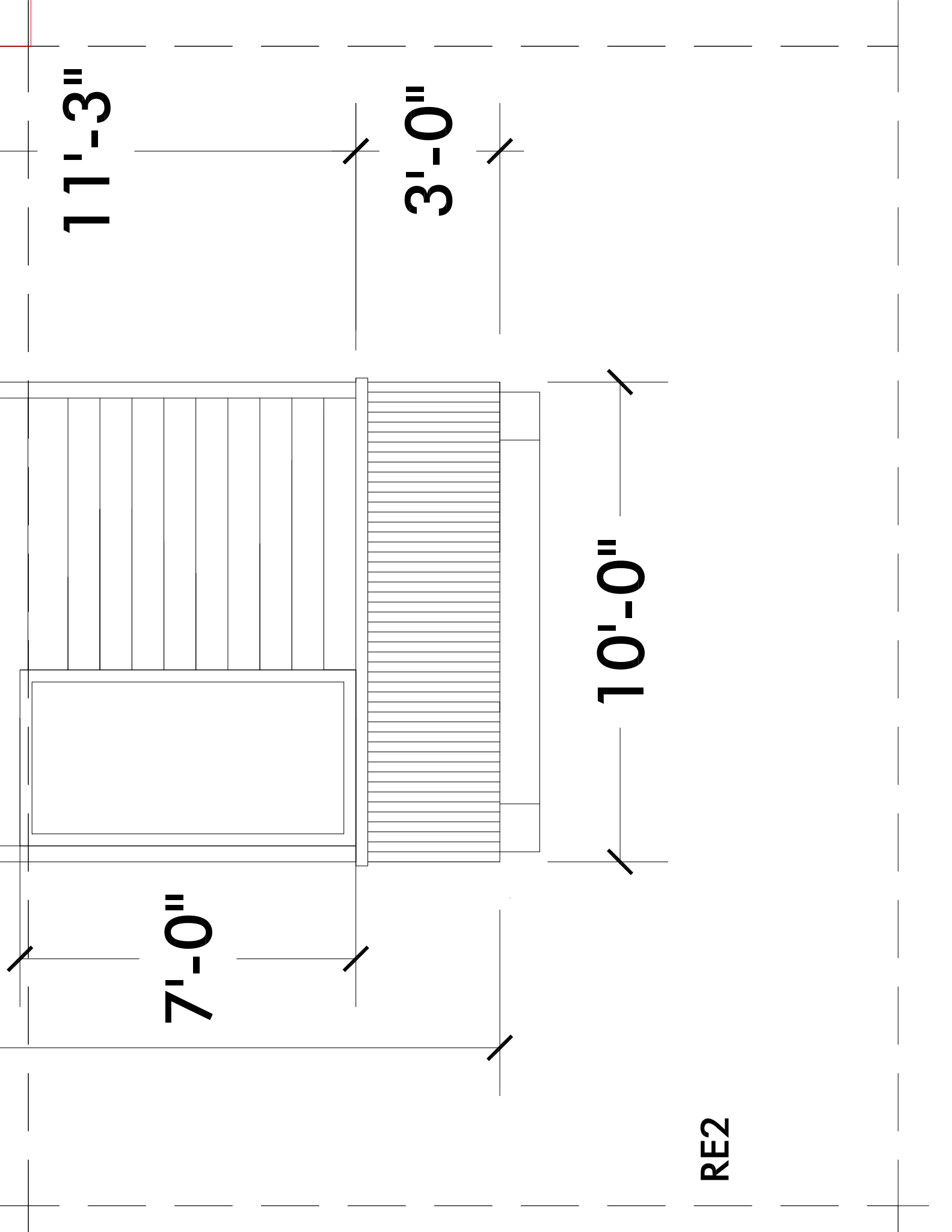
LE2



# RIGHT ELEVATION RE1



1 7 1 5 1 1



11'-3"

3'-0"

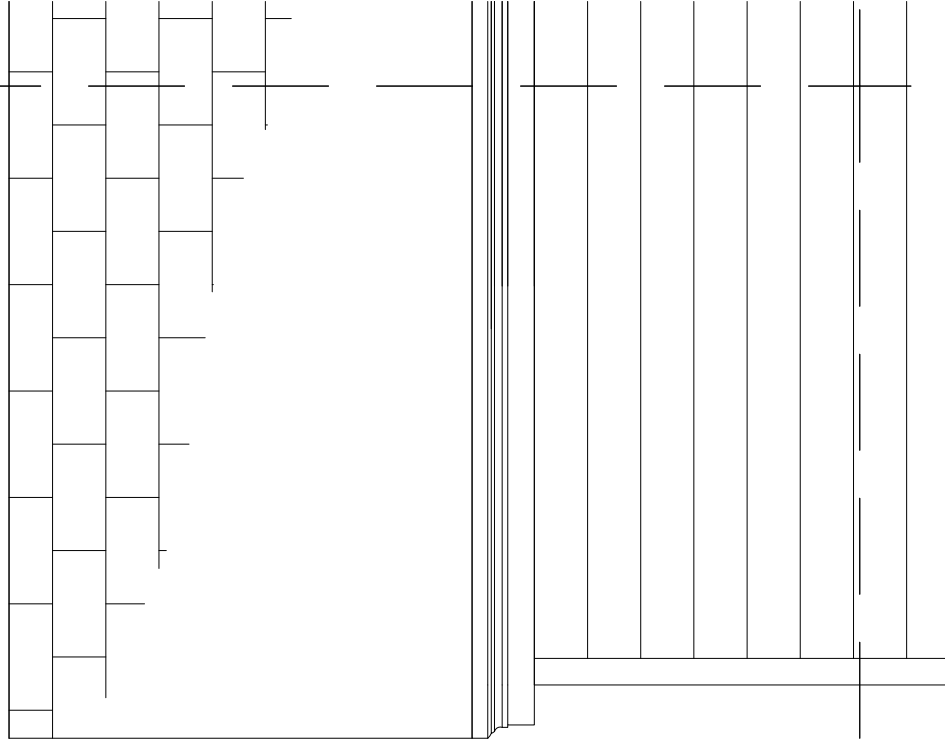
7'-0"

10'-0"

RE2

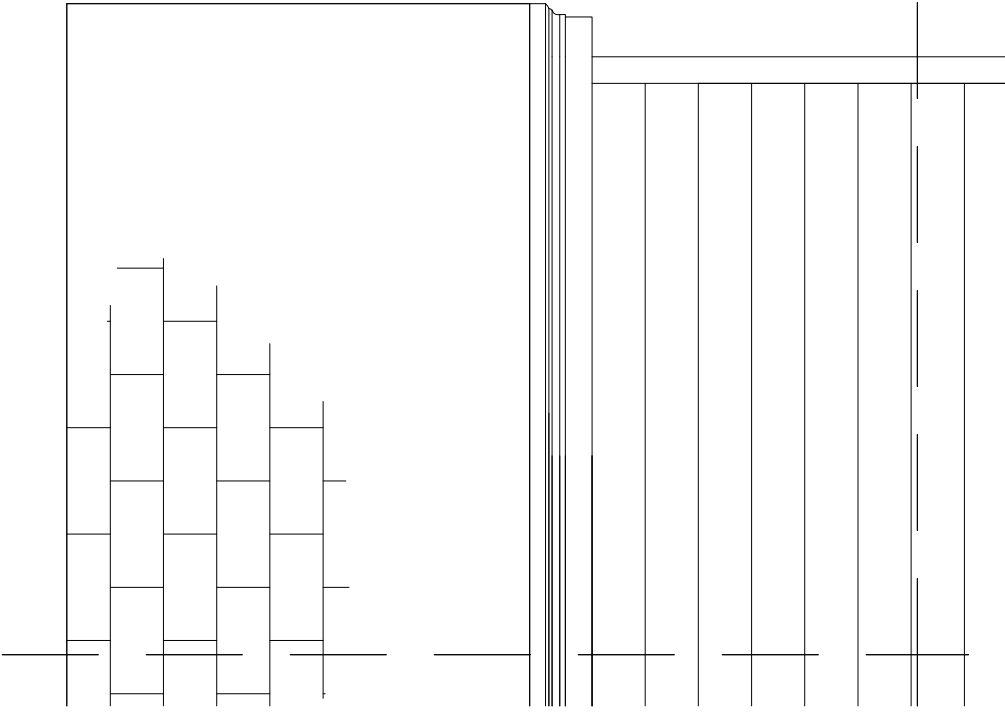
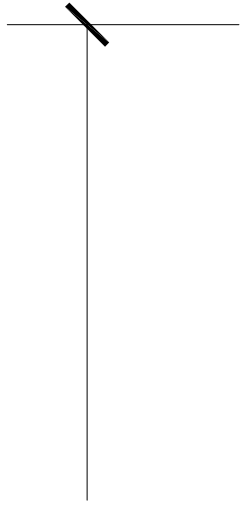
**REAR ELEVATION - RE1**

**16'-4"**

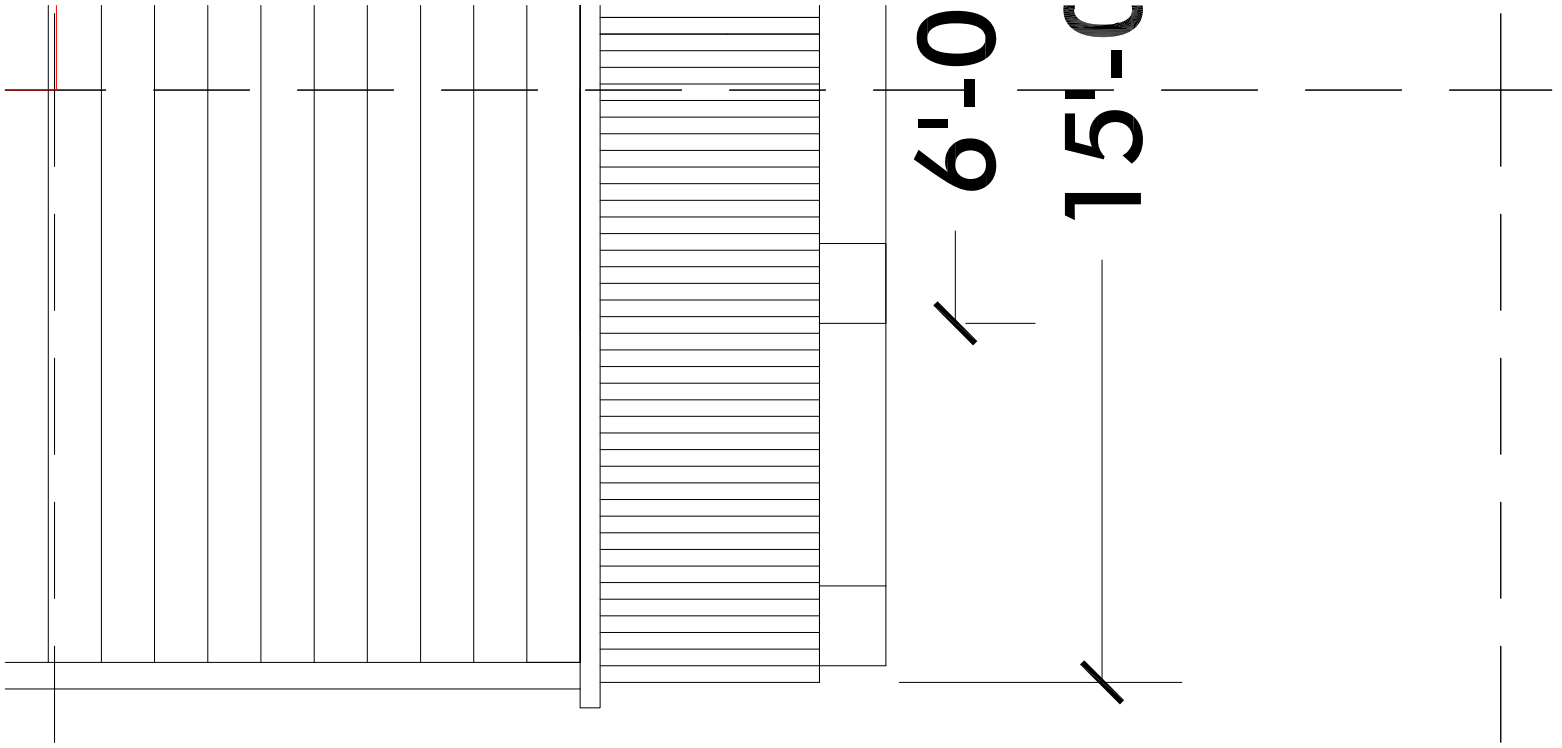


RE2

5'-4"



RE3



RE4

